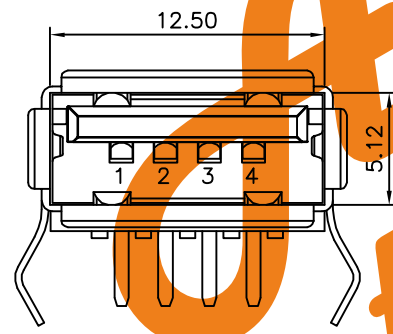
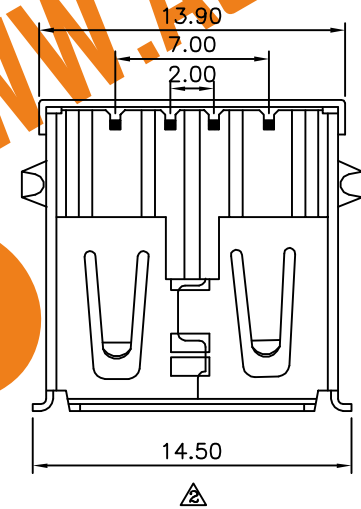
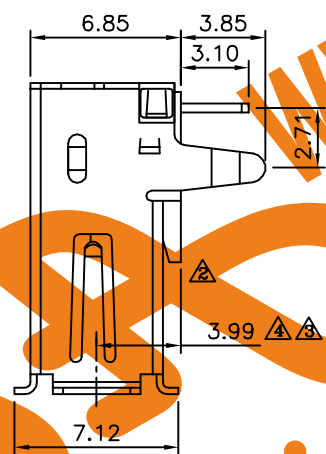
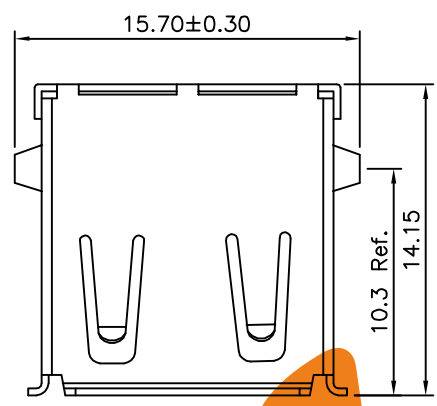


Recommended P.C.B. Layout

**SPECIFICATION**  
 Current:1.5A Max.  
 Voltage:30V Max.  
 Withstanding Voltage:500V AC  
 Contact Resistance:30 Milliohms Max.  
 Insulation Resistance:1000 Megaohms Min.  
 Temperature Range:-55°C~+85°C  
 Mating Force:35N Max.  
 Withdrawal Force:10N Min.  
 Durability:1500 Cycles Min.  
 Insulator:PBT+30%G.F.(UL94V-0),White  
 Contact:Brass  
 Gold Flash On Contact Area  
 Tin Plated On Solder Tail,Under Nickel  
 Shell:Brass,Nickel Plated  
 RoHS Compliant



**AsA Electronic**  
 WWW.AsA-Elec.com  
 AsA Electronic Co.  
 Tel : (+98) 21 66 73 56 82 Mob : (+98) 912 03 161 02

Telegram:  
 09396994470

APPROVED BY	EMILY
CHECKED BY	HZ
DRAWING BY	WZL
SCALE	NONE
REV.	A4

UNLESS OTHERWISE SPECIFIED TOLERANCES ARE	
.X ±0.38	.X° ±2°
.XX ±0.25	.XX° ±1°
.XXX ±0.13	.XXX° ±0.5°
UNIT	mm

NO.	REV.	REVISIONS	CHK	DATE
A4		Modify Dim. 4.10-->3.99	HZF	04/27/2011
A3		Add Dim. 4.10	HZF	02/15/2011
A2		Modify Data	HZF	12/24/2010
A1		Modify Data	HZF	09/21/2010
A0		NEW RELEASE	HZF	06/04/2009